

|           |       |
|-----------|-------|
| PROJECT   | _____ |
| TYPE      | _____ |
| SPECIFIER | _____ |
| QUANTITY  | _____ |
| DATE      | _____ |

## INVADER MICRO-DOT RECESSED

### A350030-

base number    Color    Finishes    Reflector  
 Temperature    (Diamond)    Options

- To build a product code in our configurator select the specify button on the base model # product page
- To build a manual product code on this datasheet choose from the options listed below in blue font and add the suffix to the base model #

#### GENERAL

Series: Invader Micro-Dot  
 Brand: Prolicht  
 Division: Architectural  
 Mounting Type: Recessed  
 Mounting Location: Ceiling  
 Subcategory: Downlight

#### PHYSICAL

Shape: Round  
 Diameter (mm): 39  
 Diameter (in): 1 9/16  
 Height (mm): 71  
 Height (in): 2 13/16  
 Ceiling Thickness (mm): 10 - 30  
 Ceiling Thickness (in): 3/16 - 1 3/16  
 Min. Recessing Depth (mm): 90  
 Min. Recessing Depth (in): 3 9/16  
 Light Distribution: Downlight  
 Installation Requirement: Ceiling Thickness: 10mm - 30mm  
 Fixture Finish: [SSR / BKV / CWI / CRY / HAB / UFT / ITA / RUA / FTG / MYG / LOD / PUS / FRO / FUP / KIA / POP / BLS / SPG / MEY / GOH / GUM / CHC / COM / ABZ / JAG / OBR / MOS / ROR](#)  
 Fixture Material: Aluminum  
 Cut-out Measurements: 45mm / 1 3/4"

#### ELECTRICAL

Lamp Type: LED (Zhaga Standard)  
 Input Wattage (W): 9  
 Dimming: Tri-Mode (Non-Dimming and Phase Dimming (120Vac only) and 0-10V Dimming)  
 Driver Included: No  
 Driver Location: Remote  
 Driver Type: Constant Current - Universal  
 Driver Class: Class 2  
 Input Voltage (V): 120 - 277  
 Constant Current (MA): 700

#### LED

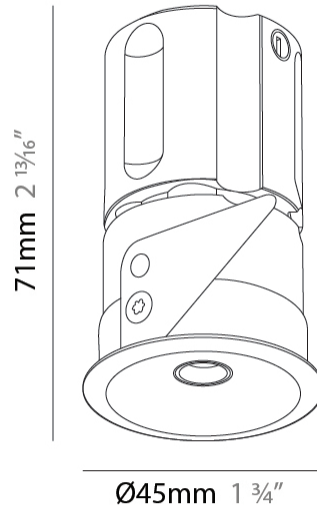
Number of LEDs: 1  
 Color Temperature (°K): [2700 / 3000 / 3500 / 4000](#)  
 Max. Delivered Lumen (lm): 396 / 420 / 443 / 462  
 Nominal Lumen (lm): 588 / 623 / 657 / 686  
 CRI: >90 CRI  
 Lamp Life (hrs): 50000

#### OPTICAL

Optic°: 32 / 58

#### RATINGS AND CERTIFICATIONS

Certified By: Certified for North American Standards  
 IP rating: IP20



## INVADER MICRO-DOT RECESSED

A350030-

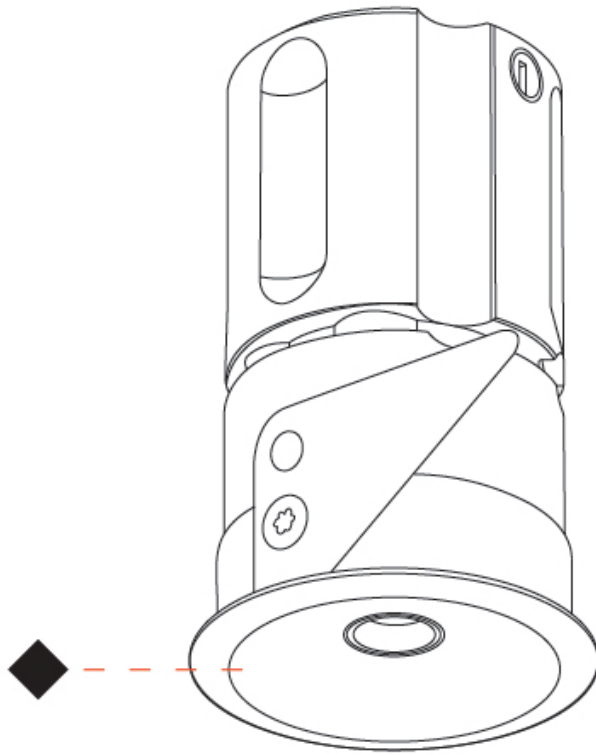
PROJECT \_\_\_\_\_

TYPE \_\_\_\_\_

SPECIFIER \_\_\_\_\_

QUANTITY \_\_\_\_\_

DATE \_\_\_\_\_



A

|           |
|-----------|
| PROJECT   |
| TYPE      |
| SPECIFIER |
| QUANTITY  |
| DATE      |

## INVADER MICRO-DOT RECESSED

### A350031-

|             |                      |                       |                      |
|-------------|----------------------|-----------------------|----------------------|
| base number | Color<br>Temperature | Finishes<br>(Diamond) | Reflector<br>Options |
|-------------|----------------------|-----------------------|----------------------|

- To build a product code in our configurator select the specify button on the base model # product page
- To build a manual product code on this datasheet choose from the options listed below in blue font and add the suffix to the base model #

#### GENERAL

|                            |
|----------------------------|
| Series: Invader Micro-Dot  |
| Brand: Prolicht            |
| Division: Architectural    |
| Mounting Type: Recessed    |
| Mounting Location: Ceiling |
| Subcategory: Downlight     |

#### PHYSICAL

|                                                                                                                                                                                                       |
|-------------------------------------------------------------------------------------------------------------------------------------------------------------------------------------------------------|
| Shape: Round                                                                                                                                                                                          |
| Diameter (mm): 39                                                                                                                                                                                     |
| Diameter (in): 1 9/16                                                                                                                                                                                 |
| Height (mm): 49                                                                                                                                                                                       |
| Height (in): 3 7/8                                                                                                                                                                                    |
| Ceiling Thickness (mm): 10 - 30                                                                                                                                                                       |
| Ceiling Thickness (in): 3/16 - 1 3/16                                                                                                                                                                 |
| Min. Recessing Depth (mm): 65                                                                                                                                                                         |
| Min. Recessing Depth (in): 2 9/16                                                                                                                                                                     |
| Light Distribution: Downlight                                                                                                                                                                         |
| Installation Requirement: Ceiling Thickness: 10mm - 30mm                                                                                                                                              |
| Fixture Finish: <a href="#">SSR / BKV / CWI / CRY / HAB / UFT / ITA / RUA / FTG / MYG / LOD / PUS / FRO / FUP / KIA / POP / BLS / SPG / MEY / GOH / GUM / CHC / COM / ABZ / JAG / OBR / MOS / ROR</a> |
| Fixture Material: Aluminum                                                                                                                                                                            |
| Cut-out Measurements: 45mm / 1 3/4"                                                                                                                                                                   |

#### ELECTRICAL

|                                                                                   |
|-----------------------------------------------------------------------------------|
| Lamp Type: LED (Zhaga Standard)                                                   |
| Input Wattage (W): 6                                                              |
| Dimming: Tri-Mode (Non-Dimming and Phase Dimming (120Vac only) and 0-10V Dimming) |
| Driver Included: No                                                               |
| Driver Location: Remote                                                           |
| Driver Type: Constant Current - Universal                                         |
| Driver Class: Class 2                                                             |
| Input Voltage (V): 120 - 277                                                      |
| Constant Current (MA): 500                                                        |

#### LED

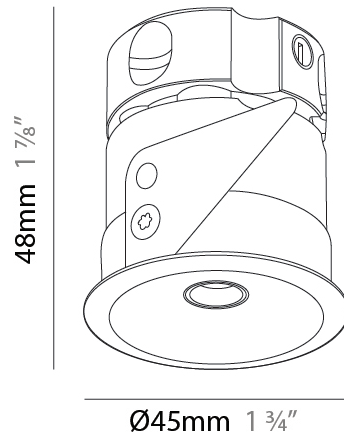
|                                                                   |
|-------------------------------------------------------------------|
| Number of LEDs: 1                                                 |
| Color Temperature (°K): <a href="#">2700 / 3000 / 3500 / 4000</a> |
| Max. Delivered Lumen (lm): 310 / 328 / 347 / 356                  |
| Nominal Lumen (lm): 460 / 487 / 514 / 528                         |
| CRI: >90 CRI                                                      |
| Lamp Life (hrs): 50000                                            |

#### OPTICAL

|                 |
|-----------------|
| Optic°: 32 / 58 |
|-----------------|

#### RATINGS AND CERTIFICATIONS

|                                                      |
|------------------------------------------------------|
| Certified By: Certified for North American Standards |
| IP rating: IP20                                      |



## INVADER MICRO-DOT RECESSED

A350031-

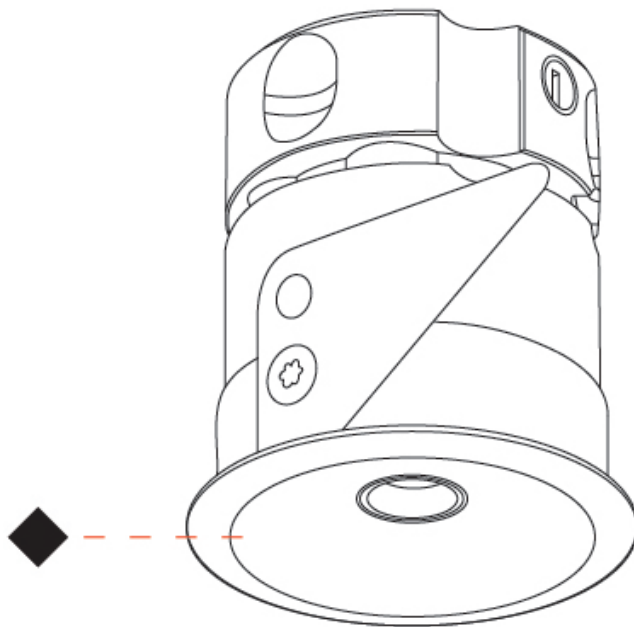
PROJECT

TYPE

SPECIFIER

QUANTITY

DATE



A

|           |       |
|-----------|-------|
| PROJECT   | _____ |
| TYPE      | _____ |
| SPECIFIER | _____ |
| QUANTITY  | _____ |
| DATE      | _____ |

## INVADER MICRO-DOT TRIMLESS

### A350032-

|             |             |           |           |
|-------------|-------------|-----------|-----------|
| base number | Color       | Finishes  | Reflector |
|             | Temperature | (Diamond) | Options   |

- To build a product code in our configurator select the specify button on the base model # product page
- To build a manual product code on this datasheet choose from the options listed below in blue font and add the suffix to the base model #

#### GENERAL

|                            |
|----------------------------|
| Series: Invader Micro-Dot  |
| Brand: Prolicht            |
| Division: Architectural    |
| Mounting Type: Trimless    |
| Mounting Location: Ceiling |
| Subcategory: Downlight     |

#### PHYSICAL

|                                                                                                                                                                                       |
|---------------------------------------------------------------------------------------------------------------------------------------------------------------------------------------|
| Shape: Round                                                                                                                                                                          |
| Diameter (mm): 39                                                                                                                                                                     |
| Diameter (in): 1 5/16                                                                                                                                                                 |
| Height (mm): 49                                                                                                                                                                       |
| Height (in): 3 7/8                                                                                                                                                                    |
| Ceiling Thickness (mm): 10 - 30                                                                                                                                                       |
| Ceiling Thickness (in): 3/16 - 1 3/16                                                                                                                                                 |
| Min. Recessing Depth (mm): 65                                                                                                                                                         |
| Min. Recessing Depth (in): 2 5/16                                                                                                                                                     |
| Light Distribution: Downlight                                                                                                                                                         |
| Installation Requirement: Ceiling Thickness: 10mm - 30mm                                                                                                                              |
| Fixture Finish: SSR / BKV / CWI / CRY / HAB / UFT / ITA / RUA / FTG / MYG / LOD / PUS / FRO / FUP / KIA / POP / BLS / SPG / MEY / GOH / GUM / CHC / COM / ABZ / JAG / OBR / MOS / ROR |
| Fixture Material: Aluminum                                                                                                                                                            |
| Cut-out Measurements: 45mm / 1 3/4"                                                                                                                                                   |

#### ELECTRICAL

|                                                                                   |
|-----------------------------------------------------------------------------------|
| Lamp Type: LED (Zhaga Standard)                                                   |
| Input Wattage (W): 6                                                              |
| Dimming: Tri-Mode (Non-Dimming and Phase Dimming (120Vac only) and 0-10V Dimming) |
| Driver Included: No                                                               |
| Driver Location: Remote                                                           |
| Driver Type: Constant Current - Universal                                         |
| Driver Class: Class 2                                                             |
| Input Voltage (V): 120 - 277                                                      |
| Constant Current (MA): 500                                                        |

#### LED

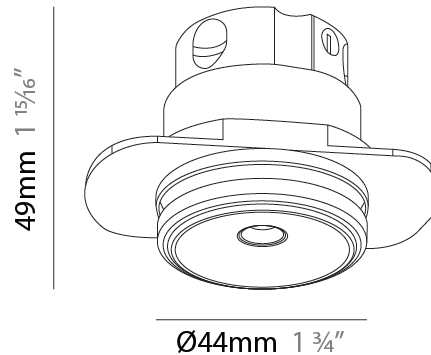
|                                                   |
|---------------------------------------------------|
| Number of LEDs: 1                                 |
| Color Temperature (°K): 2700 / 3000 / 3500 / 4000 |
| Max. Delivered Lumen (lm): 310 / 328 / 347 / 356  |
| Nominal Lumen (lm): 460 / 487 / 514 / 528         |
| CRI: >90 CRI                                      |
| Lamp Life (hrs): 50000                            |

#### OPTICAL

|                 |
|-----------------|
| Optic°: 32 / 58 |
|-----------------|

#### RATINGS AND CERTIFICATIONS

|                                                      |
|------------------------------------------------------|
| Certified By: Certified for North American Standards |
| IP rating: IP20                                      |



## INVADER MICRO-DOT TRIMLESS

A350032-

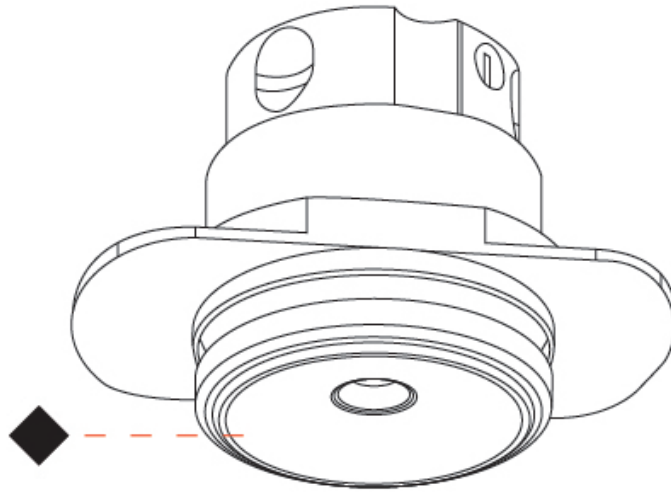
PROJECT

TYPE

SPECIFIER

QUANTITY

DATE



|           |       |
|-----------|-------|
| PROJECT   | _____ |
| TYPE      | _____ |
| SPECIFIER | _____ |
| QUANTITY  | _____ |
| DATE      | _____ |

## INVADER MICRO-DOT TRIMLESS

### A350033-

|             |             |           |           |
|-------------|-------------|-----------|-----------|
| base number | Color       | Finishes  | Reflector |
|             | Temperature | (Diamond) | Options   |

- To build a product code in our configurator select the specify button on the base model # product page
- To build a manual product code on this datasheet choose from the options listed below in blue font and add the suffix to the base model #

#### GENERAL

|                            |
|----------------------------|
| Series: Invader Micro-Dot  |
| Brand: Prolicht            |
| Division: Architectural    |
| Mounting Type: Trimless    |
| Mounting Location: Ceiling |
| Subcategory: Downlight     |

#### PHYSICAL

|                                                                                                                                                                                       |
|---------------------------------------------------------------------------------------------------------------------------------------------------------------------------------------|
| Shape: Round                                                                                                                                                                          |
| Diameter (mm): 39                                                                                                                                                                     |
| Diameter (in): 1 9/16                                                                                                                                                                 |
| Height (mm): 71                                                                                                                                                                       |
| Height (in): 2 13/16                                                                                                                                                                  |
| Ceiling Thickness (mm): 10 - 30                                                                                                                                                       |
| Ceiling Thickness (in): 3/16 - 1 3/16                                                                                                                                                 |
| Min. Recessing Depth (mm): 90                                                                                                                                                         |
| Min. Recessing Depth (in): 3 9/16                                                                                                                                                     |
| Light Distribution: Downlight                                                                                                                                                         |
| Installation Requirement: Ceiling Thickness: 10mm - 30mm                                                                                                                              |
| Fixture Finish: SSR / BKV / CWI / CRY / HAB / UFT / ITA / RUA / FTG / MYG / LOD / PUS / FRO / FUP / KIA / POP / BLS / SPG / MEY / GOH / GUM / CHC / COM / ABZ / JAG / OBR / MOS / ROR |
| Fixture Material: Aluminum                                                                                                                                                            |
| Cut-out Measurements: 45mm / 1 3/4"                                                                                                                                                   |

#### ELECTRICAL

|                                                                                   |
|-----------------------------------------------------------------------------------|
| Lamp Type: LED (Zhaga Standard)                                                   |
| Input Wattage (W): 9                                                              |
| Total Output Wattage (W): 8.2                                                     |
| Dimming: Tri-Mode (Non-Dimming and Phase Dimming (120Vac only) and 0-10V Dimming) |
| Driver Included: No                                                               |
| Driver Location: Remote                                                           |
| Driver Type: Constant Current - Universal                                         |
| Driver Class: Class 2                                                             |
| Input Voltage (V): 120 - 277                                                      |
| Constant Current (MA): 700                                                        |

#### LED

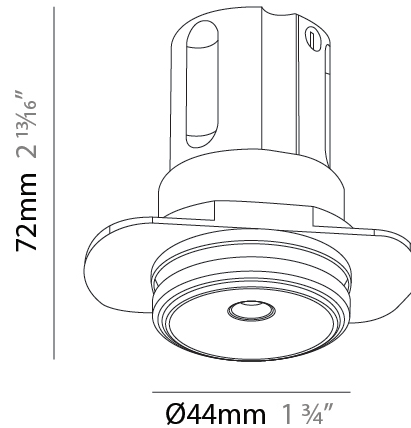
|                                                   |
|---------------------------------------------------|
| Number of LEDs: 1                                 |
| Color Temperature (°K): 2700 / 3000 / 3500 / 4000 |
| Max. Delivered Lumen (lm): 396 / 420 / 443 / 462  |
| Nominal Lumen (lm): 588 / 623 / 657 / 686         |
| CRI: >90 CRI                                      |
| Lamp Life (hrs): 50000                            |

#### OPTICAL

|                 |
|-----------------|
| Optic°: 32 / 58 |
|-----------------|

#### RATINGS AND CERTIFICATIONS

|                                                      |
|------------------------------------------------------|
| Certified By: Certified for North American Standards |
| IP rating: IP40                                      |
| Glare Rating: ≤ 10                                   |



## INVADER MICRO-DOT TRIMLESS

A350033-

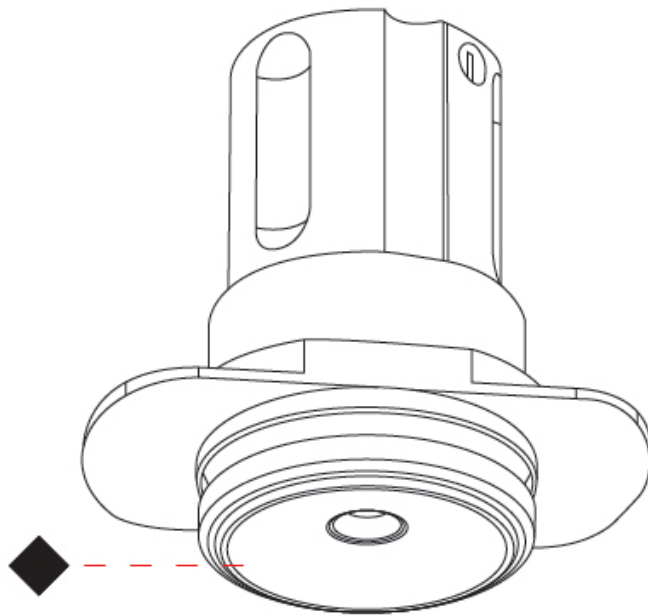
PROJECT

TYPE

SPECIFIER

QUANTITY

DATE



A



## INVADER MICRO-DOT COLOR FINISH CHART

|           |
|-----------|
| PROJECT   |
| TYPE      |
| SPECIFIER |
| QUANTITY  |
| DATE      |

### Fixture Finish



**Digital:** Not all screens are calibrated the same, and therefore, colors will appear differently between screens.

**Physical:** When texture is involved, there will be variations in color, character and tone within a product series and between product families.

**Gun Metal:** No Gun Metal finish is alike. It combines a mixture of transparent and black color particles which ensures a highly individual effect and no luminaire being identical.

**Champagne Cream, Copper Mine, Ancient Bronze + Jazz Gold:** These finishes have slight fading from specific powder coating production. Each luminaire will slightly vary.



|           |  |
|-----------|--|
| PROJECT   |  |
| TYPE      |  |
| SPECIFIER |  |
| QUANTITY  |  |
| DATE      |  |

### LEGEND

|                                                           |                                                              |                                                                                                |
|-----------------------------------------------------------|--------------------------------------------------------------|------------------------------------------------------------------------------------------------|
| floor-mounted                                             | pivotal                                                      | special LED (upon request) RGB, RGBW, tunable, gold+, meat+, art+, fashion+                    |
| wall and ceiling: recessed and surface mounted            | rotating                                                     | warm dim / natural dimming LED                                                                 |
| ceiling-mounted and wall-mounted                          | illuminate tilted                                            | rechargeable battery powered                                                                   |
| wall-mounted                                              | color of suspension cable                                    | fixture with natural vivid LED (upon request)                                                  |
| omni-directional light distribution                       | length of suspension cable                                   | color rendering index                                                                          |
| direct light distribution                                 | reflector degree selection                                   | color temperature                                                                              |
| direct/indirect light distribution                        | super spot                                                   | lumen (luminous flux)                                                                          |
| indirect light distribution                               | lens                                                         | efficacy (lumens per watt)                                                                     |
| asymmetric light distribution                             | lens pack                                                    | Unified Glare Rating (UGR) range from 5-40                                                     |
| aura light distribution                                   | shine ring                                                   | marine grade (AISI 316 stainless steel)                                                        |
| round wall or ceiling cut-out                             | integrated shine ring with diffuser                          | walk on                                                                                        |
| square wall or ceiling cut-out                            | free individual colors 01-29                                 | drive on                                                                                       |
| the supplied jig specifies the cutout dimensions          | individual colors: 00 (free of charge), 01-25 (extra charge) | Dark Sky Compliance                                                                            |
| minimum distance (meters) lamp - object                   | luminaire part to be colored (F1)                            | Americans with Disabilities Act (less than 4" off the wall located between 27"-84" from floor) |
| recessed depth                                            | luminaire part to be colored (F2)                            | lamp protected against explosion                                                               |
| ceiling thickness in mm                                   | luminaire part to be colored (F3)                            | blown glass using traditional methods by master glass blower                                   |
| ceiling thickness selection                               | luminaire part to be colored (F4)                            | acoustic material                                                                              |
| dimmable DP (phase), DV (0-10V), DD (dali), DS (step-dim) | luminaire part to be colored (F5)                            | protection class I, protection insulation                                                      |
| included or excluded LED driver/transformer/control gear  | color of 3-circuit adaptor                                   | protection class II, protection insulation                                                     |
| separately switchable                                     | indirect diffuser                                            | ETL Certified to UL and CSA Standards                                                          |
| sensor                                                    | direct diffuser                                              | UL Certified to UL and CSA Standards                                                           |
| remote control                                            | ball-proof (upon request)                                    | CSA Certified to UL and CSA Standards                                                          |
| available upon request                                    | accessory                                                    | Certified for North American Standards                                                         |

### IP RATING

|      |                                                                                                                                                  |
|------|--------------------------------------------------------------------------------------------------------------------------------------------------|
| IP20 | protected against ingress of solid bodies greater than 12.5mm (finger)                                                                           |
| IP33 | protected against ingress of solid bodies greater than 2.5mm<br>protected against sprays of water up to 60 degrees from the vertical (rain)      |
| IP40 | protected against ingress of solid bodies greater than 1mm (wire)<br>no protection against the ingress of moisture                               |
| IP43 | protected against ingress of solid bodies greater than 1mm (wire)<br>protected against sprays of water up to 60 degrees from the vertical (rain) |
| IP44 | protected against ingress of solid bodies greater than 1mm (wire)<br>protected against water splashed from all directions                        |
| IP54 | protected against limited ingress of dust (wet rooms/covered outdoor areas)<br>protected against water splashed from all directions              |
| IP65 | protected against ingress of dust<br>protected against jets of water                                                                             |
| IP66 | protected against ingress of dust<br>protected against powerful jets of water or heavy seas                                                      |
| IP67 | protected against ingress of dust<br>protected against immersion of water between 15cm - 1m for 30 minutes                                       |
| IP68 | protected against ingress of dust<br>protected against immersion of water under pressure for long periods                                        |

### IK RATING

|      |                                                                                                       |
|------|-------------------------------------------------------------------------------------------------------|
| IK01 | protected against 0.14 joules impact (equivalent to 0.25kg mass dropped from 56mm above the surface)  |
| IK02 | protected against 0.2 joules impact (equivalent to 0.25kg mass dropped from 80mm above the surface)   |
| IK03 | protected against 0.35 joules impact (equivalent to 0.25kg mass dropped from 140mm above the surface) |
| IK04 | protected against 0.5 joules impact (equivalent to 0.25kg mass dropped from 200mm above the surface)  |
| IK05 | protected against 0.7 joules impact (equivalent to 0.25kg mass dropped from 280mm above the surface)  |
| IK06 | protected against 1 joules impact (equivalent to 0.25kg mass dropped from 400mm above the surface)    |
| IK07 | protected against 2 joules impact (equivalent to 0.5kg mass dropped from 400mm above the surface)     |
| IK08 | protected against 5 joules impact (equivalent to 1.7kg mass dropped from 300mm above the surface)     |
| IK09 | protected against 10 joules impact (equivalent to 5.0kg mass dropped from 200mm above the surface)    |
| IK10 | protected against 20 joules impact (equivalent to 5.0kg mass dropped from 400mm above the surface)    |